



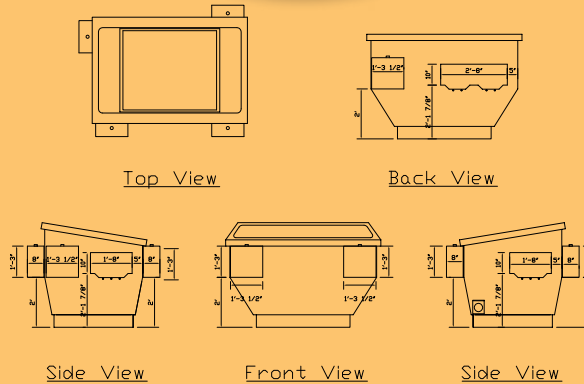
## Marina Trash Skimmer

*A Product Who's Time Has Come*

Is trash cluttering your marina? Do you notice oil sheen on your water's surface? Or do you have a lot of free floating organic material piling up or sinking to the water floor? The Marina Trash Skimmer was created to tackle these very problems.

The MTS is a stationary unit that is strategically placed at different points within marinas and harbors. Working with the natural flow of water, skimmers work round the clock to collect trash and oil sheen into one easy to access location.

Operating on common 20 Amp 125 Volt power, Skimmers employ a patented technology of water displacement. Moving over 300 gallons of water a minute, the MTS retains all floating debris in its vicinity. With its relatively small footprint (6' wide x 4' deep x 18" freeboard) the skimmers fit comfortably into any area of a marina or water way, and their whisper quiet operation will not disturb the neighbors.



Marina Accessories Inc is an international supplier of accessories and equipment for marinas, contractors, and private dock owners. An affiliate of Bellingham Marine Industries, their offices are located at Bellingham Marine's headquarters in Bellingham, Washington, USA.

**Marina Accessories, Inc.**  
1001 "C" St  
Bellingham, WA 98225

Telephone:  
Toll-Free 1 (800) 585-6890  
Intl 1 (360) 676-7500  
Fax 1 (360) 392-1443

Email Address:  
[info@marinatrashskimmer.com](mailto:info@marinatrashskimmer.com)  
[mai@marina-accessories.com](mailto:mai@marina-accessories.com)

For more information:  
[www.marinatrashskimmer.com](http://www.marinatrashskimmer.com)  
[www.marina-accessories.com](http://www.marina-accessories.com)



**TRASH:**  
*A Problem Of  
Global Dimensions*



## Marina Trash Skimmer



Debris Collected by Marina Trash Skimmers  
Over 80,000 gallons to date.

**That's over  
500,000 pounds!**





# TRASH:

## *A Problem Of Global Dimensions*

If you're lucky enough to spend any time around our waterways, you've most likely witnessed the buildup of plastics, oil and other debris.

- Over 300 billion pounds of plastics are produced each year and large amounts reach our oceans. Most forms of plastic float, don't break down and are hard to catch.
- One teaspoon of fuel can extend oil sheen over a one-acre area, and the buildup of small drops can have adverse effects on water quality.
- FFOM (free-floating organic material) can clutter a marina and create eyesores for customers. If left alone, this material will sink to the bottom of your harbor resulting in expensive dredging costs.

Problems like these can be solved in an affordable and environmentally friendly way. Log on to [www.MarinaTrashSkimmer.com](http://www.MarinaTrashSkimmer.com) to get more information on the MTS, and see what you can do to help protect our waterways.

"The skimmer is working beautifully, and its performance has exceeded our expectations. Without a doubt it was a great investment. We have great reviews from our condo unit owners that live adjacent to the skimmer location, who have recognized the performance of this new equipment."

**Gabriel Ley**, *Marina Manager*  
Marina Costa Baja • La Paz, Mexico

"For Dana Point Harbor the benefits of the skimmer appear to be that it has become a reliable labor-saving device operating 24 hours per day gathering marine debris and utilizing minimal amounts of electricity, which we believe will be a valuable long-term contributor to our water quality program."

**Paul Lawrence**, *Operations Manager*  
Dana Point Harbor • Orange Country, CA

"...This program is deemed a success because of the sheer volume of debris removed from the marina water, the increased observable clarity of the water and the satisfaction of the marinas and their tenants has shown that the marine trash skimmers have been a valuable asset for each marina. Each marina manager has indicated how satisfied they are with their skimmer. Not only do they improve the aesthetics of their marina but the skimmers are easy to use, silent, and save the marina time and money by reducing the marina staff's workload."

**AMEC Earth & Environmental, Inc.**  
Final Report • Marina Trash Skimmer Monitoring

### Installation

- The Trash Skimmer can be mounted to any floating dock system using the mounting brackets provided.
- MAI will work with any customer to ensure there is a secure mounting system in any other situation.

### Displacement

- 300 gallons of water per minute, 24 hours a day

### Operating Cost Estimate

- The Trash Skimmer has used approximately 25Kwh/day. In the USA North West this works out to \$1.30/day.

### Water Circulation Unit

- ¾ HP 120 Volt motor

### Aeration System

- Vacuum Driven Aerator (VDA)

### Warranty

- Roto-Molded Parts – 10 years
- Water Circulation Unit – 2 years
- Control Panel – 3 years

